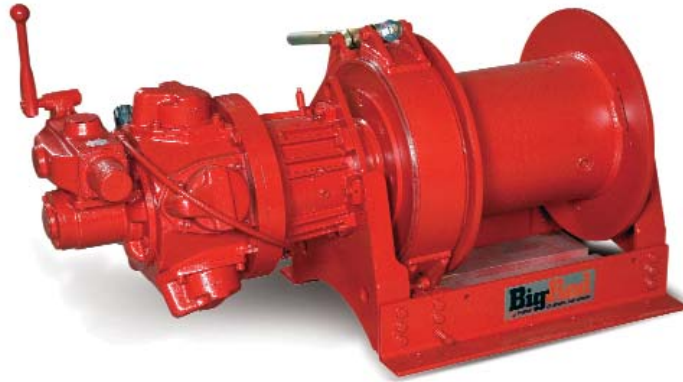




Leave the heavy lifting to us.

ABS Type Utility / Personnel Winches



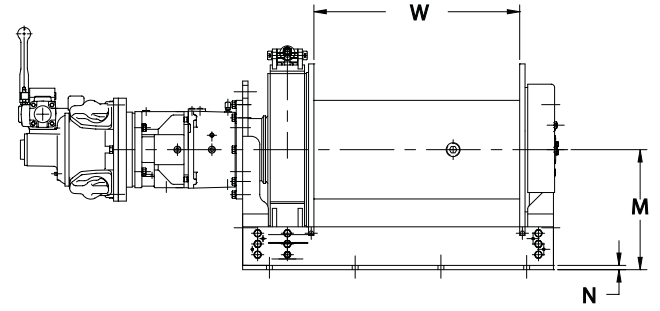
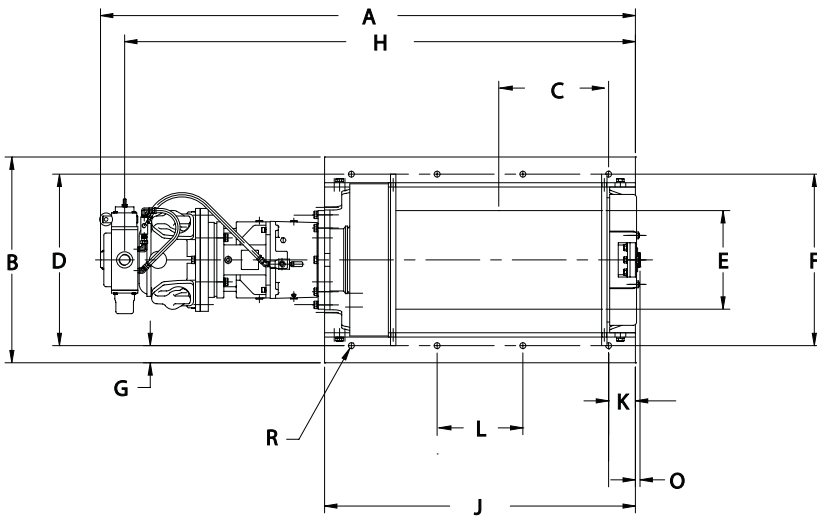
ABS Type Winch Performance Characteristics

	TA2P Series Personnel / Utility	TA2HP Series Personnel / Utility	TA2.5P Series Personnel / Utility	TA5P Series Personnel / Utility
Load Rating 1st Layer	4,500 / 7,200 lb	3,600 / 3,600 lb	4,500 / 7,200 lb	10,700 / 18,000 lb
Load Rating Full Drum	2,900 / 4,700 lb	2,400 / 2,400 lb	3,100 / 5,000 lb	6,900 / 11,500 lb
Line Speed 1st Layer	46 / 30 fpm	59 / 59 fpm	111 / 69 fpm	45 / 27 fpm
Line Speed Full Drum	70 / 46 fpm	91 / 91 fpm	160 / 100 fpm	71 / 42 fpm
Drum Torque	27,150 / 43,190 lbs	21,780 / 21,780 lbs	30,170 / 48,380 lbs	90,220 / 150,710 lbs
Pressure	90 psi	90 psi	90 psi	90 psi
Flow	300 / 250 scfm	300 / 250 scfm	700 / 550 scfm	700 / 550 scfm
Pipe Inlet Size	1 in	1 in	1.5 in	1.5 in
Hose Size	1.25 in	1.25 in	1.5 in	1.5 in
Min. Design Temp (C - F)	0 - 32	0 - 32	0 - 32	0 - 32

IMPORTANT:

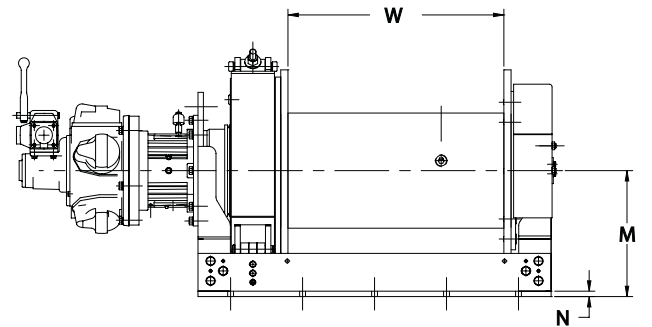
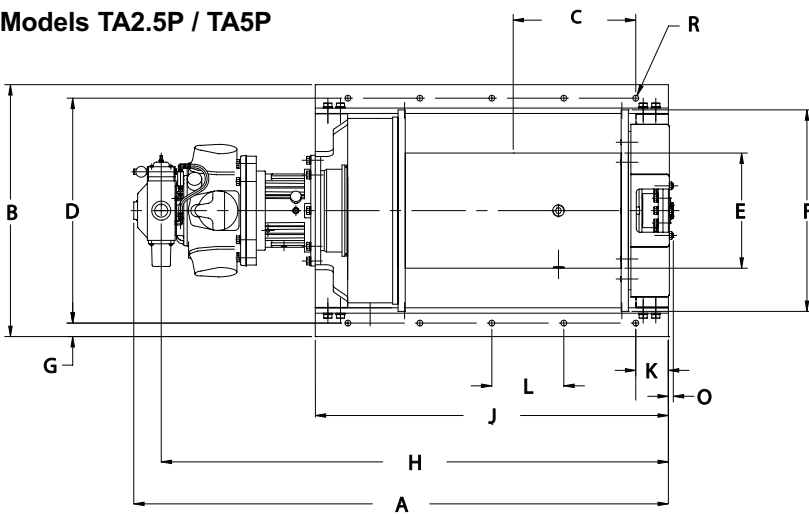
It is the owner's or operator's responsibility to determine the suitability of the equipment to its intended use. Study all applicable codes, manuals and regulations. Be sure to read the Owner's Manual supplied with the equipment before operating it.

Models TA2P / TA2HP



Dimensions are for reference only and subject to change without notice.

Models TA2.5P / TA5P



Dimensions are for reference only and subject to change without notice.

Winch Dimensions (inches)

Model	A	B	C	D	E	F	G	H
TA2P-16	54.38	24.00	9.06	20.00	11.50	20.00	2.00	51.56
TA2P-24	62.38	24.00	12.81	20.00	11.50	20.00	2.00	59.56
TA2HP-16	54.38	24.00	9.06	20.00	11.50	20.00	2.00	51.56
TA2HP-24	62.38	24.00	12.81	20.00	11.50	20.00	2.00	59.56
TA2.5P-16	52.59	24.00	9.00	20.00	12.75	21.00	2.00	48.78
TA2.5P-24	60.59	24.00	12.75	20.00	12.75	21.00	2.00	56.78
TA5P-16	60.28	35.00	10.53	31.25	16.00	28.00	1.88	56.47
TA5P-24	68.28	35.00	12.78	31.25	16.00	28.00	1.88	64.47
TA5P-30	74.28	35.00	17.03	31.25	16.00	28.00	1.88	70.47

Winch Dimensions (inches)

Model	J	K	L	M	N	W	O	R
TA2P-16	28.25	2.88	7.50	14.00	.50	16.00	.56	.69
TA2P-24	36.25	3.13	10.00	14.00	.50	24.00	.56	.69
TA2HP-16	28.25	2.88	7.50	14.00	.50	16.00	.56	.69
TA2HP-24	36.25	3.13	10.00	14.00	.50	24.00	.56	.69
TA2.5P-16	28.25	2.88	7.50	14.00	.50	16.00	.56	.69
TA2.5P-24	36.25	3.13	10.00	14.00	.50	24.00	.56	.69
TA5P-16	35.06	4.03	9.00	17.50	.75	16.00	.56	.69
TA5P-24	43.06	5.78	10.50	17.50	.75	24.00	.56	.69
TA5P-30	49.06	4.53	10.00	17.50	.75	30.00	.56	.69